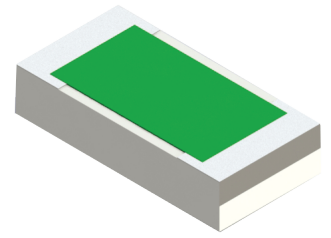


RK1206ZZ-XXXXWN-93 Features:

- 1/4 Wraparound Terminal Configuration
- Solder or Epoxy Attachment
- Customer Defined Testing Available
- RoHS Compliant or SnPb Available
- Tape & Reel or Waffle Pack Available (Standard is bulk)



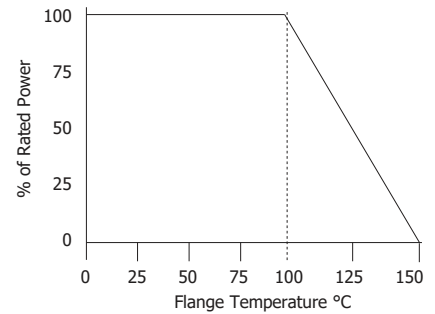
Actual Size

RK1206ZZ-XXXXWN-93 Parameters:

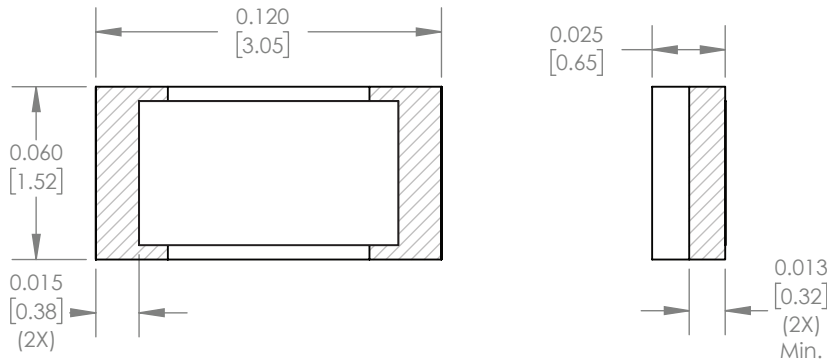
Resistance Range:	0.5Ω to 1MΩ
CW Rated Power:	0.3W*
Construction:	Thick Film on Al ₂ O ₃
Operating Temperature:	-55 to +150°C

* Rating based on ≤100°C constant baseplate temperature

RK1206ZZ-XXXXWN-93 Power Derating Curve



RK1206ZZ-XXXXWN-93 Dimensions:



Dimensions in inches [mm]
Tolerance is ± 0.005 [0.127] unless otherwise stated

Ordering Information:

RK	1206	ZZ	- XXXX	W	N	- 93	UU
Prefix for Resistor w/ 1/4 Wraparound Terminals			Value Code Examples R500 - 0.5Ω 1001 - 1KΩ 1R00 - 1Ω 1002 - 10KΩ 10R0 - 10Ω 1003 - 100KΩ 1000 - 100Ω 1004 - 1MΩ	Tolerance F - 1% G - 2% J - 5% K - 10%	Normal Inspection Contact factory for additional options	Substrate 93 - 0.025" Al ₂ O ₃	Packaging Blank - Bulk TR - Tape and Reel WP - Waffle Pack
Size 1206							

Terminal Metallization

AS -	SnPb Solder over Platinum Palladium Gold
BA -	Palladium Silver
CB -	SnPb Solder over Nickel over Silver
CT -	100% Matte Tin over Nickel over Silver
GA -	Gold

	RoHS	Magnetic	Solder	Epoxy	Wirebond
AS	No	No	Yes	No	No
BA	Yes	No	Yes	Yes	No
CB	No	Yes	Yes	No	No
CT	Yes	Yes	Yes	No	No
GA	Yes	No	No	Yes	Yes

Barry Industries reserves the right to change part number and/or process without notification.

RK1206ZZ-XXXXWN-93 Features:

Parameter:	Test Condition:	Results:
Short Time Overload	Apply 1.1x Rated Power for 5 Seconds.	≤ 5.0% Resistance Shift
Rated Load Life	Apply 1/2 Power Under 40°C ±2°C 90 Minutes on/ 30 Minutes off. Repeat for 100 hours	≤ 5.0% Resistance Shift
Moisture Resistance	MIL-PRF-55342 para 4.8.9 95% RH, 25°C - 65°C	≤ 5.0% Resistance Shift
Resistance to Soldering Heat	MIL-STD-202 Method 210 and MIL-PRF-55342 Para 4.8.8.1	≤ 5.0% Resistance Shift
Resistance to Bonding Exposure	MIL-PRF-55342 Para 4.8.8.2	≤ 5.0% Resistance Shift
Solderability	MIL-PRF-55342 Para 4.8.12	>95% Covered
High Temperature Storage	125°C ±2°C for 500 Hours	1.) ≤ 5.0% Resistance Shift 2.) No Significant Abnormality (Visual)
Thermal Shock	-65 to +125 30 Minutes Dwell, 5 Cycles	1.) ≤ 5.0% Resistance Shift 2.) No Significant Abnormality (Visual)

Barry Industries reserves the right to change part number and/or process without notification.